



TEREX RT 175 Rough Terrain Crane



FEATURES

- **75 tons (68 mt)**
maximum lifting capacity
- **126 ft. (38.4 m)**
maximum boom length
- **193 ft. (58.8 m)**
maximum tip height
- Four-section full power boom with single lever control
- Swingaway jib offsettable 0°, 17° or 30°
- Two-speed main and auxiliary winches
- Quick-reeving boom head and hook block
- Fully independent multi-position out and down outriggers
- Environmental operator's cab optimizes load visibility and productivity
- RCI 500 load system Rated Capacity Indicator
- Tight 20 ft. 9 in. (6.3 m) turning radius
- Easy to read load chart books include range diagrams
- 12-month or 2000 hours warranty, major weldments are 5-years or 10,000 hours

simple, available and
cost effective™

Machines shown may have optional equipment.

TEREX RT 175

Rough Terrain Crane

Max. Lifting Capacity: 75 tons (68 mt)



126 ft. (38.4 m) FOUR-SECTION, FULL-POWER BOOM WITH SINGLE LEVER CONTROL

- High strength, four plate construction.
- Two double-acting hoist cylinders provide boom elevation of -2° to 78° for easier reeving changes and close radius operation.
- Quick-reeving boom head; no need to remove wedge from socket.

ENVIRONMENTAL OPERATOR'S CAB

- Rated Capacity Indicator (RCI) system including anti-two block system with automatic function disconnects.
- Fully adjustable operator's seat has shock-absorbing suspension and adjustable arm rests.
- Sound and weather insulated for comfort.
- Hinged tinted skylight and sliding right-hand, rear and door windows, roof wiper.
- Armrest mounted joystick or twin lever controls for swing, boom hoist, and main and auxiliary winches; foot pedals for swing brake, boom telescope, service brakes and engine throttle.
- Complete instrumentation. Environmentally-sealed rocker switches. Circuit breakers in cab.

RUGGED, EASY-TO-MANEUVER CARRIER

- Box-type chassis construction with reinforcing cross members.
- Powershift transmission with hi/lo range and torque converter; 8 speeds forward 6 reverse.
- Hydrostatic power steering, front and rear axles. Control modes for front only, four-wheel crab and crab steering, all controlled by steering wheel. Switch for independent rear steer.
- Dual circuit, air over hydraulic drum service brakes at each wheel.
- Fully independent hydraulic outriggers may be utilized fully extended to 23 ft. 7 in. (7.2 m) or in their mid extended or fully retracted positions.
- Tail swing only 14' 0" (4.27 m).
- 260 HP (194 kw) Cummins 6CTA8.3 turbocharged and aftercooled diesel engine.
- 29.5 x 25-28PR tubeless tires with rock tread.

POWERFUL, TWO-SPEED WINCHES

- 567 fpm (172 mpm) maximum line speed, 20,400 lbs. (9250 kg) maximum line pull. Single lever control.
- Automatic multi-disc brake.

- Electronic drum indicators.
- Winch drum rollers.

HIGH CAPACITY, DEPENDABLE HYDRAULIC SYSTEM

- Two tandem gear-type pumps driven off the transmission. Combined system capability is 147 gpm (556 lpm).
- Hydraulic reservoir with 177 gal. (670 l) capacity and full flow oil filtration system.

OPTIONS INCLUDE:

- 38 ft. or 38 ft. to 60 ft. (11.6 or 11.6 to 18.3 m) swingaway jib. Both offset 0°, 17° or 30°.
- Auxiliary winch with rope.
- Heater/defroster, air conditioner.
- Cold weather starting aid.

For more information, product demonstration, or details on purchase, lease and rental plans, please contact your local Terex Cranes Distributor.

We reserve the right to amend these specifications at any time without notice. The only warranty applicable is our standard written warranty applicable to the particular product and sale. We make no other warranty, expressed or implied.

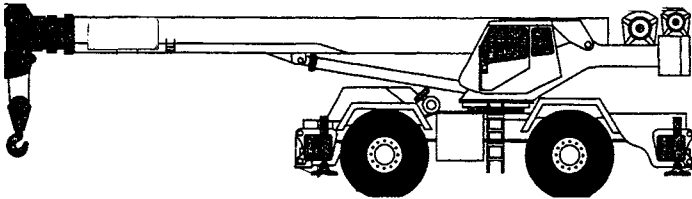
 **TEREX CRANES**

Highway 501 East/P.O. Box 260002
Conway, SC 29528-6002 USA
(843) 349-6900 • FAX: (843) 349-7090
E-mail: conway@terexlifting.com

www.terexlift.com

TEREX RT 175 SERIES

**75 Ton (68 tonne) capacity
rough terrain cranes
specifications**



STANDARD BOOM EQUIPMENT

BOOM

40-126 ft. (12.2-38.4 m), four section full power, synchronized boom. High-strength four plate construction welded inside & out. Anti-friction slide pads. Two double acting boom hoist cylinders. Maximum tip height is 134 ft.

BOOM HEAD

Welded to fourth section of boom. Five non metallic main sheaves and two non metallic idler sheaves mounted on heavy duty anti-friction bearings. Quick reeving boom head.

OPTIONAL BOOM EQUIPMENT

JIBS

38 ft. (11.6 m) self storing swing-on one-piece lattice type jib. Single sheave mounted on anti-friction bearing. Jib is offsettable at 0', 17', or 30'. Maximum tip height is 164 ft. (50 m) with 126 ft. (38.4 m) boom.

38-60 ft. (11.6 –18.3 m) self storing swing-on lattice type jib. Single sheave mounted on anti-friction bearing. Jib is extendible to 60 ft. (18.3 m) by means of a 22 ft. (6.70 m) manual pull-out tip section, Jib is offsettable at 0', 17' or 30'. Maximum tip height is 193 ft. (58.8 m) with 126 ft. (35 m) boom.

AUXILIARY BOOM HEAD

Removable auxiliary boom head has single sheave mounted on anti-friction bearing. Removable pin-type rope guard for quick reeving. Installs on main boom Peak only. Removal is not required for jib use.

HOOK BLOCK

75 Ton Five steel sheaves on anti-friction bearings with hook and heavy duty latch. Quick reeving design.

HOOK & BALL

9.2 ton (8.3mt) top swivel ball with hook and hook latch.

www.terexlift.com

STANDARD UPPERSTRUCTURE EQUIPMENT

UPPERSTRUCTURE FRAME

All welded one-piece structure fabricated with high tensile strength alloy steel. 15,200 LB. (6,895kg) bolt on type counterweight is removable.

TURNTABLE CONNECTION

Swing bearing is a single row, ball type, with external teeth. The swing bearing is welded to the carrier.

SWING

A hydraulic motor drives a double planetary reduction gear for precise and smooth 360 degree swing function. Swing speed is 2 rpm.

SWING BRAKE

Heavy duty multiple disc swing brake is actuated from operator's cab by foot pedal. Brake may be locked on or used as a momentary brake.

RATED CAPACITY INDICATOR

Rated Capacity Indicator with visual and audible warning system and automatic function disconnects. Pictographic display includes: boom radius, boom angle, boom length, allowable load, actual load, and percentage of allowable load registered by bar graph. Operator settable alarms provided for swing angle, boom length, boom angle, tip height, and work area exclusion zone. Anti-two block system includes audio/visual warning and automatic function disconnects.

OPERATOR'S CAB

Environmental cab with all steel construction, optimized visibility, tinted safety glass throughout, and rubber floor matting. The cab has a sliding door on the left side, framed sliding window on the right side, hinged tinted all glass skylight

Acoustical foam padding insulates against sound and weather. Cloth covered adjustable operator's seat is equipped shock absorbing suspension and includes arm rests and seat belts.

CONTROLS

All joystick control levers and pedals are positioned for efficient operation. Hand operated controls include swing, foot pedal, boom hoist, winch(s), shift, 360 degree house lock. Switches include ignition, engine stop, steering mode, parking brake, two speed winch, and outrigger controls. Foot control pedals include swing brake, boom telescope, service brakes and accelerator.

INSTRUMENTATION AND ACCESSORIES

In-cab gauges include air pressure, bubble level, engine oil pressure, fuel, engine coolant temperature, voltmeter, transmission temperature, transmission charge pump pressure. Indicators include low air, high coolant temperature/low engine oil pressure/high transmission temperature audio/Visual warning, tachometer, low coolant warning, hoist drum rotation indicator, and rated capacity indicator. Accessories include fire extinguisher; light package including headlights, taillight, brake lights, directional signals, four-way hazard flashers, dome & dash lights, and back-up lights with audible back-up alarm; windshield washer/wiper; roof wiper; rear view mirrors, rear steer centering light, and defroster fan.

HYDRAULIC CONTROL VALVES

Valves are mounted on the side of the upperstructure and are Easily accessible. Valves are hydraulically operated.

OPTIONAL EQUIPMENT

Auxiliary Winch-Air Conditioner-Work Lights-Revolving Amber Light-Diesel or Propane Heater

STANDARD CARRIER EQUIPMENT

CARRIER CHASSIS

High strength chassis with four-wheel drive and four-wheel steer (4x4x4). Has box beam type construction with reinforcing cross members, a precision machined turn table mounting plate and integrally welded outrigger boxes. Decking has anti-skid surfaces, including tool storage compartment, and access steps and handles.

AXLES AND SUSPENSION

Rear axle is a planetary drive/steer type with hydraulic lockouts. Osillation is +/- 5.2 in. (132mm). Osillation lock out override control. Front axle is a planetary drive/steer type.

STEERING

Hydrostatic power steering, front and rear axles. Control modes for front only, four wheel crab and crab steering all controlled by steering wheel.

Turning radius to center of outside tire.
29.5X25-28PR
20ft. 9in. (6.3m)

TRANSMISSION

Fully sequential powershift with torque convertor. Six speeds Forward and three reverse.

STANDARD CARRIER EQUIPMENT (continued)

MULTI-POSITION OUT & DOWN OUTRIGGERS

Fully independent hydraulic outriggers may be extended to 23 ft. 7 in. (7.2 m), 16 ft. 4 in. (4.98m), and 9 ft. 7 in. (2.9m)

Front to rear spread is 23 ft. 8 in. (7.2m) Easily removable Floats 24in. (610mm) square stow on the carrier frame.

Complete controls and sight leveling bubble are located in the operator's cab.

WHEELS & TIRES

Disc type wheels tubeless with rock tread.

TIRES

29.5X25-28PR

SERVICE BRAKES

Dual circuit, air over hydraulic drum brakes at each wheel.

PARKING BRAKE

Disc brake on the transmission output shaft

OPTIONAL EQUIPMENT

Cold Weather Starting Aid - Immersion Heater • Spare

tire • Pintle Hook • Tire Inflation Kit • Front

Mounted Winch - 15,000lbs. 6.75mt line pull.

HYDRAULIC SYSTEM

HYDRAULIC PUMPS

System uses two tandem gear-type pumps with a

Total flow of 139 gpm (525 lpm). Manual

Disconnect is standard.

Main and Auxiliary Winch Pump

81 gpm (306 lpm) @ 2,000 psi (138 kg/cm²)

Boom Hoist, Telescope Pump

53 gpm (200 lpm) @ 2,000 psi (138 kg/cm²)

Power Steering, and Swing Pump

28 gpm (106 lpm) @ 2,000 psi (138 kg/cm²)

FILTRATION

Full flow oil filtration system is by two 10-micron return line filters externally mounted to the reservoir and one 20-

-micron pressure line filter.

HYDRAULIC RESERVOIR

All steel, welded construction with diffuser. Easy access to filters and is equipped with an air breather and dip stick.

Capacity is 177 gallons (670 liters). Oil cooler is standard.

MAIN WINCH SPECIFICATION

Hydraulic winch with bent axis piston motor and planetary reductiongearing provides 2-speed operation with equal speeds for power up and down and infinitely variable speed control. Winch is equipped with an multi-disc brake, grooved drum, tapered flanges, standard cable roller on drum, and drum turn indicator.

PERFORMANCE

Bradon 185

Max. line speed

-Fifth layer 456 fpm (181 mpm)

Max. line pull

-First layer 20,400 lbs. (9250kg) low speed

Permissible line pull 15,000 lbs. (6802kg) per part of line

Strength limit 16,800 lbs. (7620kg) with 3.5:1 safety factor

OPTIONAL AUX. WINCH

Bradon PD17

PERFORMANCE

Bradon PD17

Max. line speed

-Fifth layer 504 fpm (154 mpm)

Max. line pull

-First layer 17,400 lbs. (7892kg) low speed

Permissible line pull 11,000 lbs. (4990kg) per part of line

Strength limit 16,800 lbs. (7620kg) with 3.5:1 safety factor

DRUM CAPACITY

Max. Storage: 886 ft (237 m) ¾ in. wire rope

CABLE

550 ft. (167m) of ¾ in. (19mm) diameter, 6x37 EIPS with 7x7 IWRC.

OPTIONAL CABLE

Rotation resistant wire rope 3/4x550' 8x19 EIPS WITH 7X7 IWRC.

DRUM CAPACITY

Max. Storage: 554 ft (168 m) ¾ in. wire rope

CABLE

460 ft. (140m) of ¾ in. (19mm) diameter, 6x37 EIPS with 7x7 IRWC.

OPTIONAL CABLE

Rotation resistant wire rope 3/4x550' 8X19 EIPS with 7x7 IWRC.

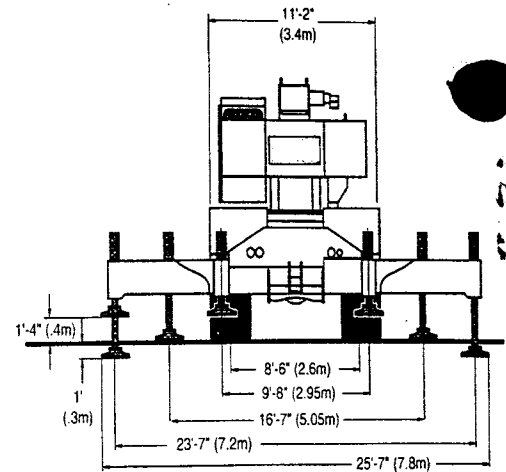
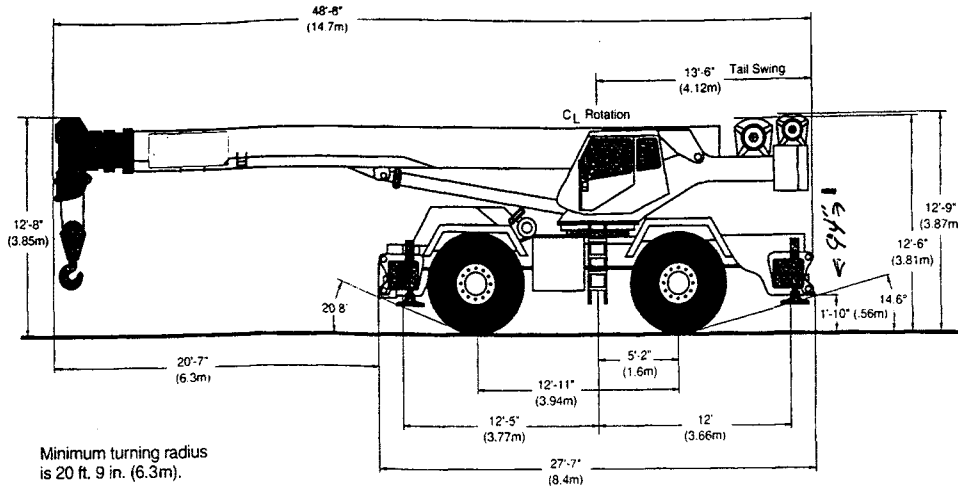
ENGINE SPECIFICATIONS

Make and Model

Cummins 6CT8.3L

Type	6 cylinder
Bore and Stroke	4.49 in. (114mm) x 5.32 in. (135mm)
Displacement	504.5 in.3 (8.27 litres)
Gross Horsepower	215 @ 2500 rpm
Gross Torque	558 ft. lbs. (756 Nm)
Aspiration	Turbo charged, air cooled
Air Filter	dry type
Electrical System	24 volt
Alternator	70 amp
Battery	2 8D batteries
Fuel Capacity	80 gallon (303 liter)

GENERAL DIMENSIONS



WEIGHTS & AXLE LOADS	GROSS	UPPER FACING FRONT		GROSS	UPPER FACING FRONT	
	WEIGHT			WEIGHT		
	LBS.	FRONT	REAR	KG.	FRONT	REAR
Basic Machine RT175	98,200	50,120	48,080	44,535	22,725	21,810
Add Options:						
38'(11.6 m) Swing-on jib (Stowed)	+ 1,735	+2,294	-559	+ 787	+ 1,041	-254
38'-60'(11.6-18.3 m) Swing-on Jib (Stowed)	+ 2,661	+3,795	-1,134	+ 1,207	+ 1,721	-514
Auxiliary Boom Head	+ 154	+ 460	-306	+ 70	+ 209	-139
Auxiliary Winch Controls and Plumbing Only	+ 75	+ 0	+ 75	+ 34	+ 0	+ 34
Auxiliary Winch Wire Rope.	+ 547	- 306	+ 853	+ 248	- 139	-387
75T 5-Sheave Hook Block (travel)	+ 1,220	+3,700	-2,480	+ 555	+ 1,680	-1,125
9.2T Hook and Ball (boom)	+ 467	+ 764	-296	+ 212	+ 346	-134
Pintle Hook: Front	+ 45	+ 64	19	+ 20	+ 29	9

NOTE: Weights are for factory supplied equipment and are subject to 2% variation due to manufacturing tolerances.

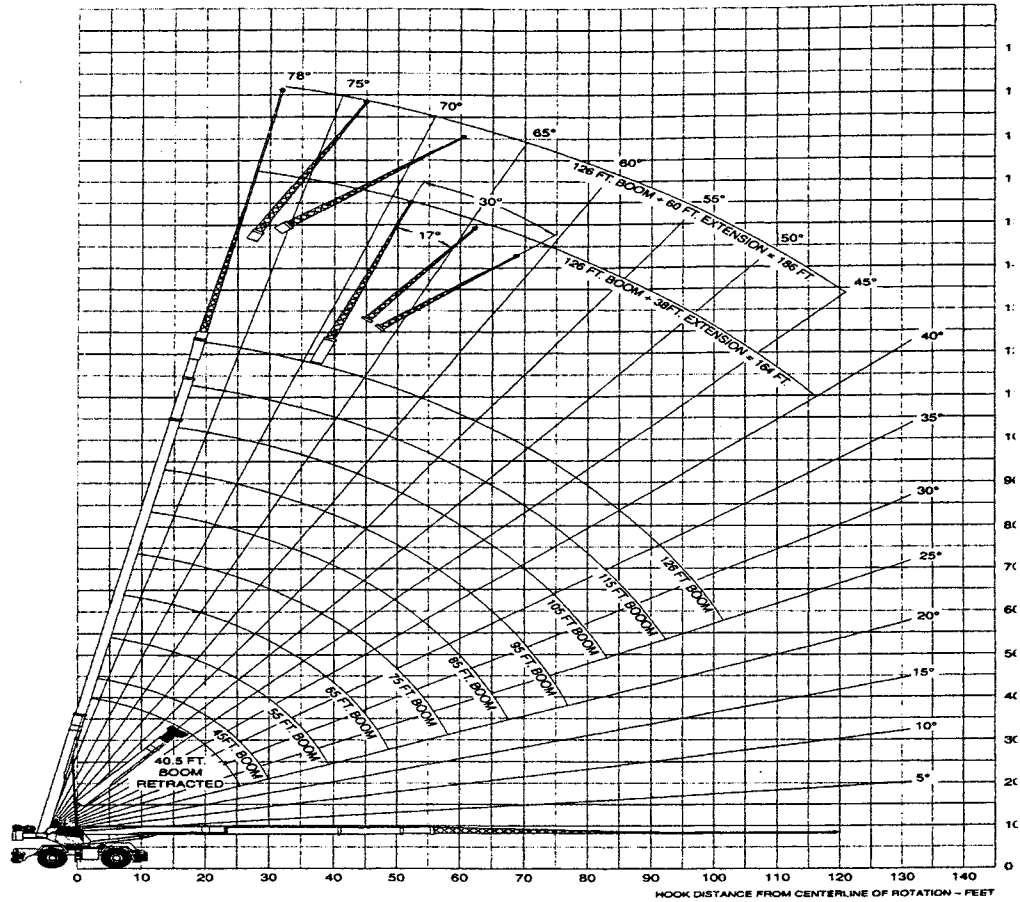
WE RESERVE THE RIGHT TO AMEND THESE SPECIFICATIONS AT ANY TIME WITHOUT NOTICE, THE ONLY WARRANTY APPLICABLE IS OUR STANDARD WRITTEN WARRANTY APPLICABLE TO THE PARTICULAR PRODUCT AND SALE. WE MAKE NO OTHER WARRANTY, EXPRESSED OR IMPLIED.

Terex Cranes, Inc., PO Box 260002, Conway, SC 29528, Phone: (843)349-6900 Fax: (843)349-7090
 TX175-Rev00 E-mail: inquire@terexlifting.com - www.terexlift.com

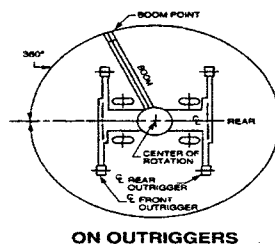
TEREX RT175

ROUGH TERRAIN CRANE
75 Ton Capacity

Range diagram & lifting capacities

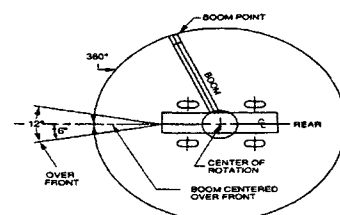


AREAS OF OPERATION - 3 AND 4 SECTION BOOMS

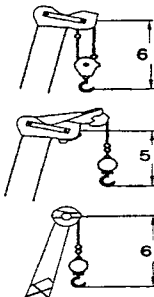


ON OUTRIGGERS

NOTE: These lines determine the limiting position of any load for operating within working areas indicated.



ON TIRES



4 SECTION BOOM: LOAD RATINGS OVER 360° WITH OUTRIGGERS FULLY EXTENDED

40.5 to 95 ft . Boom

CHART #1	POWERED BOOM LENGTH IN FEET														RADIUS IN FEET
	40.5		45		55		65		75		85		95		
	△°	POUNDS	△°	POUNDS	△°	POUNDS	△°	POUNDS	△°	POUNDS	△°	POUNDS	△°	POUNDS	
10	68	150000	71	102000	75	95000									10
12	65	116000	68	100000	73	94700	76	80500							12
15	60	92500	64	91700	69	89000	73	73500	76	61000					15
20	52	69600	56	69500	63	69000	68	64000	72	55700	74	48200	76	40000	20
25	41	55700	48	55200	57	54600	63	54000	68	48500	71	42200	73	38300	25
30	28	46400	38	46000	51	45300	58	45000	63	44500	67	39000	70	34000	30
35			25	36000	43	35800	52	35400	59	35000	63	33400	67	30200	35
40					34	28300	46	28000	54	27800	59	27200	64	26900	40
45					23	24800	40	25200	49	23100	55	22500	60	21900	45
50							32	20700	43	21000	51	21200	56	18900	50
55							21	17200	37	17500	44	17700	52	17800	55
60									30	14700	41	14900	48	15100	60
65									20	12400	35	12600	44	12800	65
70											28	10800	39	10900	70
75											19	9200	33	9400	75
80													27	8000	80
85													18	6800	85

MINIMUM BOOM ANGLE (DEGREES) FOR INDICATED BOOM LENGTH (NO LOAD)	-2°
MAXIMUM BOOM LENGTH (FEET) AT -2° BOOM ANGLE (NO LOAD)	126

LIFTING CAPACITIES ON OUTRIGGERS - OVER 360° AT 0° BOOM ANGLE								
AREA OF OPERATION	BOOM ANGLE	MAIN BOOM LENGTH IN FEET						
		40.5	45	55	65	75	85	95
OVER 360°	0	24500	20500	15600	11700	9200	6600	4700

Stability loads Do not exceed 85%
15200 lb Total Counterweight
LMI Code #04

105 to 126 ft . Boom

CHART #2	POWERED BOOM LENGTH IN FEET						RADIUS IN FEET
	105		115		126		
	△°	POUNDS	△°	POUNDS	△°	POUNDS	
25	76	33500	77	32000			25
30	73	31000	75	28500	77	26000	30
35	70	28000	72	25000	74	22500	35
40	67	24900	70	22800	72	20800	40
45	64	21100	67	20300	70	18900	45
50	60	18400	64	17900	67	17100	50
55	57	17200	61	16000	65	15500	55
60	54	15200	58	15300	62	14100	60
65	50	12900	55	13100	59	13200	65
70	46	11100	51	11200	56	11300	70
75	42	9500	48	9600	53	9700	75
80	37	8100	44	8300	50	8400	80
85	32	7000	40	7100	47	7200	85
90	26	6000	36	6100	43	6200	90
95			31	5200	39	5300	95
100					35	4500	100
110					25	3100	110

MINIMUM BOOM ANGLE (DEGREES) FOR INDICATED BOOM LENGTH (NO LOAD)	-2°
MAXIMUM BOOM LENGTH (FEET) AT -2° BOOM ANGLE (NO LOAD)	126

LIFTING CAPACITIES ON OUTRIGGERS - OVER 360° AT 0° BOOM ANGLE				
AREA OF OPERATION	BOOM ANGLE	MAIN BOOM LENGTH IN FEET		
		105	115	126
OVER 360°	0	2000	0	0

Stability loads Do not exceed 85%
15200 lb Total Counterweight
LMI Code #04

4 SECTION BOOM: LOAD RATINGS OVER 360° WITH OUTRIGGERS HALF EXTENDED

40.5 - 95 ft . Boom

CHART #5	POWERED BOOM LENGTH IN FEET														RADIUS IN FEET	
	40.5		45		55		65		75		85		95			
	Δ°	POUNDS	Δ°	POUNDS	Δ°	POUNDS	Δ°	POUNDS	Δ°	POUNDS	Δ°	POUNDS	Δ°	POUNDS		
10	69	135000	71	102000	75	95000									10	
12	65	116000	68	100000	73	94700	76	80500							12	
15	61	92500	64	91700	69	89000	73	73500	76	61000					15	
20	52	60000	56	60400	63	61100	68	61600	72	55700	74	48200	76	40000	20	
25	41	38900	48	39300	57	39900	63	40300	67	40700	71	40900	73	38300	25	
30	28	27500	38	27900	50	28500	58	28800	63	29100	67	29400	70	29600	30	
35			25	20700	43	21300	52	21700	58	21900	63	22100	67	22300	35	
40					34	16400	46	16700	54	17000	59	17200	63	17300	40	
45					22	12800	39	13100	48	13400	55	13600	59	13700	45	
50								31	10400	43	10600	50	10800	56	11000	50
55								20	8200	37	8500	46	8700	52	8800	55
60										29	6700	40	6900	48	7100	60
65										19	5300	35	5500	43	5600	65
70												28	4300	38	4400	70
75												18	3200	33	3400	75
80														26	2500	80
85														17	1700	85

MINIMUM BOOM ANGLE (DEGREES) FOR INDICATED BOOM LENGTH (NO LOAD)	-2°
MAXIMUM BOOM LENGTH (FEET) AT -2° BOOM ANGLE (NO LOAD)	85

LIFTING CAPACITIES ON OUTRIGGERS - OVER 360° AT 0° BOOM ANGLE								
AREA OF OPERATION	BOOM ANGLE	MAIN BOOM LENGTH IN FEET						
		40.5	45	55	65	75	85	95
OVER 360°	0	21200	16800	10500	6700	4200	0	0

Stability loads do not exceed 80%
15200 lb Total Counterweight
LMI Code #30

105 - 126 ft . Boom

CHART #6	POWERED BOOM LENGTH IN FEET						RADIUS IN FEET
	105		115		126		
	Δ°	POUNDS	Δ°	POUNDS	Δ°	POUNDS	
25	76	33500	77	32000			25
30	73	29700	75	28500	77	26000	30
35	69	22500	72	22600	74	22500	35
40	66	17500	69	17600	72	17700	40
45	63	13900	66	14000	69	14100	45
50	60	11100	63	11200	66	11300	50
55	56	9000	60	9100	64	9200	55
60	53	7200	57	7300	61	7400	60
65	49	5800	54	5900	58	6000	65
70	45	4600	51	4700	55	4800	70
75	41	3500	47	3600	52	3700	75
80	36	2600	43	2700	49	2800	80
85	31	1900	39	2000	46	2100	85
90			35	1300	42	1400	90

MINIMUM BOOM ANGLE (DEGREES) FOR INDICATED BOOM LENGTH (NO LOAD)	-2°
MAXIMUM BOOM LENGTH (FEET) AT -2° BOOM ANGLE (NO LOAD)	85

LIFTING CAPACITIES ON OUTRIGGERS - OVER 360° AT 0° BOOM ANGLE				
AREA OF OPERATION	BOOM ANGLE	MAIN BOOM LENGTH IN FEET		
		105	115	126
OVER 360°	0	0	0	0

Stability loads do not exceed 80%
15200 lb Total Counterweight
LMI Code #30

4 SECTION BOOM: LOAD RATINGS OVER 360° WITH OUTRIGGERS HALF EXTENDED

126 ft. Boom with 38 ft. Extension

CHART #7	2° EXTENDED OFFSET STINGER RETRACTED			17° EXTENDED OFFSET STINGER RETRACTED			30° EXTENDED OFFSET STINGER RETRACTED		
	78.5 - 164 FT.		RADIUS IN FEET	78.5 - 164 FT.		RADIUS IN FEET	78.5 - 164 FT.		RADIUS IN FEET
	Δ°	POUNDS		Δ°	POUNDS		Δ°	POUNDS	
78	12600	40			40			40	
76	11600	45			45			45	
74	11000	50			50			50	
72	9900	55	77	9200	50	78	7500	55	
70	8000	60	76	8900	55	76	7200	60	
68	6500	65	74	8200	60	74	7000	65	
66	5300	70	72	7600	65	72	6900	70	
64	4200	75	70	6200	70	70	5800	75	
62	3300	80	68	5100	75	68	4700	80	
59	2500	85	66	4100	80	66	3800	85	
57	1800	90	64	3200	85	64	2900	90	
		100	62	2400	90	62	1600	100	
			57	1200	100	59			

MINIMUM BOOM ANGLE (DEGREES) FOR INDICATED BOOM LENGTH (NO LOAD)	-2°
MAXIMUM BOOM LENGTH (FEET) AT -2° BOOM ANGLE (NO LOAD)	65

LIFTING CAPACITIES ON OUTRIGGERS - OVER SIDE/REAR AT 0° BOOM ANGLE					
AREA OF OPERATION	BOOM ANGLE	MAIN BOOM LENGTH IN FEET			
		40.5	45	55	65 - 126
OVER 360°	0°	4500	4500	3500	0

Stability loads do not exceed 80%
15200 lb Total Counterweight
LMI Code #37, 38, 39

126 ft. Boom with 60 ft. Extension

CHART #8	2° EXTENDED OFFSET STINGER			17° EXTENDED OFFSET STINGER			30° EXTENDED OFFSET STINGER		
	100.5 - 186 FT.		RADIUS IN FEET	100.5 - 186 FT.		RADIUS IN FEET	100.5 - 186 FT.		RADIUS IN FEET
	Δ°	POUNDS		Δ°	POUNDS		Δ°	POUNDS	
78	8000	45			45			45	
77	7700	50			50			50	
75	7400	55			55			55	
74	7200	60	78	5500	60	78	4600	60	
72	6900	65	76	5400	65	76	4500	65	
71	6400	70	75	5300	70	75	4500	70	
69	5300	75	73	5200	75	73	4400	75	
67	4400	80	72	5100	80	71	4200	80	
66	3600	85	70	4700	85	67	3200	85	
64	2900	90	68	3900	90	63	2000	90	
61	1700	100	64	2600	100			100	
		110	61	1500	110			110	

MINIMUM BOOM ANGLE (DEGREES) FOR INDICATED BOOM LENGTH (NO LOAD)	-2°
MAXIMUM BOOM LENGTH (FEET) AT -2° BOOM ANGLE (NO LOAD)	65

LIFTING CAPACITIES ON OUTRIGGERS - OVER SIDE/REAR AT 0° BOOM ANGLE					
AREA OF OPERATION	BOOM ANGLE	MAIN BOOM LENGTH IN FEET			
		40.5	45	55	126
OVER 360°	0°	3200	3000	0	

Stability loads do not exceed 80%
15200 lb Total Counterweight
LMI Codes #40, 41, 42

4 SECTION BOOM: LOAD RATINGS OVER 360° WITH OUTRIGGERS RETRACTED

40 - 95 ft. Boom

CHART #9	POWERED BOOM LENGTH IN FEET														RADIUS IN FEET
	40.5		45		55		65		75		85		95		
	Δ°	POUNDS	Δ°	POUNDS	Δ°	POUNDS	Δ°	POUNDS	Δ°	POUNDS	Δ°	POUNDS	Δ°	POUNDS	
10	69	103700	71	102000	75	95000									10
12	65	71900	68	72300	73	73100	76	73600							12
15	60	47600	64	48000	69	48700	73	49100	76	49400					15
20	52	28500	56	28800	63	29400	68	29800	71	30000	74	30300	76	30500	20
25	41	18800	48	19200	57	19700	63	20000	67	20300	70	20500	73	20600	25
30	28	13000	38	13300	50	13800	58	14100	63	14400	66	14600	69	14700	30
35			25	9400	43	9900	52	10200	58	10400	63	10600	66	10800	35
40					34	7100	46	7400	53	7600	59	7800	63	7900	40
45					22	4900	39	5200	48	5500	54	5700	59	5800	45
50							31	3600	43	3800	50	4000	55	4100	50
55							20	2200	37	2500	45	2700	51	2800	55
60									27	1400	40	1600	47	1700	60

MINIMUM BOOM ANGLE (DEGREES) FOR INDICATED BOOM LENGTH (NO LOAD)	-2°
MAXIMUM BOOM LENGTH (FEET) AT -2° BOOM ANGLE (NO LOAD)	65

LIFTING CAPACITIES ON OUTRIGGERS - OVER 360° AT 0° BOOM ANGLE								
AREA OF OPERATION	BOOM ANGLE	MAIN BOOM LENGTH IN FEET						
		40.5	45	55	65	75	85	95
OVER 360°	0	8900	6500	3000	0	0	0	0

Stability loads do not exceed 75%
15200 lb Total Counterweight
LMI Code #56

105 ft. - 126 ft. Boom

CHART #10	POWERED BOOM LENGTH IN FEET						RADIUS IN FEET
	105		115		126		
	Δ°	POUNDS	Δ°	POUNDS	Δ°	POUNDS	
25	75	20800	77	20900			25
30	72	14900	74	15000	76	15100	30
35	69	10900	71	11000	73	11100	35
40	66	8000	68	8200	71	8300	40
45	63	5900	65	6000	68	6100	45
50	59	4300	63	4400	65	4400	50
55	56	2900	60	3000	63	3100	55
60	53	1800	56	1800	60	2000	60

MINIMUM BOOM ANGLE (DEGREES) FOR INDICATED BOOM LENGTH (NO LOAD)	-2°
MAXIMUM BOOM LENGTH (FEET) AT -2° BOOM ANGLE (NO LOAD)	65

LIFTING CAPACITIES ON OUTRIGGERS - OVER 360° AT 0° BOOM ANGLE				
AREA OF OPERATION	BOOM ANGLE	MAIN BOOM LENGTH IN FEET		
		105	115	126
OVER 360°	0	0	0	0

Stability loads do not exceed 75%
15200 lb Total Counterweight
LMI Code #56

LOAD RATINGS: POUNDS ON TIRES STATIC OVER FRONT 6°

RADIUS IN FEET	POWERED BOOM LENGTH IN FEET												RADIUS IN FEET
	40.5		45		55		65		75		85		
	△°	LOAD POUNDS FRONT	△°	LOAD POUNDS FRONT	△°	LOAD POUNDS FRONT	△°	LOAD POUNDS FRONT	△°	LOAD POUNDS FRONT	△°	LOAD POUNDS FRONT	
10	68	70700	71	70200	75	68900							10
12	65	61800	68	61400	72	60400	76	59500					12
15	60	51500	64	51200	69	50600	73	50000	76	49400			15
20	51	39500	56	39500	63	39200	68	38900	71	38500	74	38100	20
25	41	30000	48	30000	57	30000	63	30000	67	30000	71	30000	25
30	28	21400	38	21400	50	21400	58	21400	63	21400	67	21400	30
35					43	16600	52	16600	58	16600	63	16600	35
40					34	12800	46	12800	54	12800	59	12800	40
45							39	10300	48	10300	55	10300	45
50							31	8100	43	8100	50	8100	50
55									37	6700	45	6700	55
60									29	5200	40	5200	60
65											34	4100	65

MINIMUM BOOM ANGLE (DEGREES) FOR INDICATED BOOM LENGTH (NO LOAD)	-2°
MAXIMUM BOOM LENGTH (FEET) AT -2° BOOM ANGLE (NO LOAD)	75

BOOM ANGLE	MAIN BOOM LENGTH IN FEET					
	40.5	45	55	65	75	85
0	15500	12200	7500	4600	0	0

TIRE INFLATION DATA - PSI		
TIRE SIZE	LOADING	STATIC
29.5 X 25 TIRE 28 PR	55	75

Stability loads do not exceed 75%
15200 lb Total Counterweight
LMI Code #02

LOAD RATINGS: POUNDS ON TIRES STATIC 360°

RADIUS IN FEET	POWERED BOOM LENGTH IN FEET												RADIUS IN FEET
	40.5		45		55		65		75		85		
	△°	LOAD POUNDS FRONT	△°	LOAD POUNDS FRONT	△°	LOAD POUNDS FRONT	△°	LOAD POUNDS FRONT	△°	LOAD POUNDS FRONT	△°	LOAD POUNDS FRONT	
10	68	49200	71	49200	75	49200							10
12	65	41900	68	41900	72	41900	75	41900					12
15	60	33600	64	33600	69	33600	72	33600	75	33600			15
20	51	22200	56	22200	63	22200	67	22200	71	22200	74	22200	20
25	41	14800	48	14800	57	14800	62	14800	67	14800	70	14800	25
30	28	10300	38	10300	50	10300	57	10300	63	10300	67	10300	30
35					43	7800	52	7800	58	7800	62	7800	35
40					34	5600	46	5600	53	5600	58	5600	40
45							39	4000	48	4000	54	4000	45

MINIMUM BOOM ANGLE (DEGREES) FOR INDICATED BOOM LENGTH (NO LOAD)	-2°
MAXIMUM BOOM LENGTH (FEET) AT -2° BOOM ANGLE (NO LOAD)	55

BOOM ANGLE	MAIN BOOM LENGTH IN FEET					
	40.5	45	55	65	75	85
0	6800	5000	0	0	0	0

TIRE INFLATION DATA - PSI		
TIRE SIZE	LOADING	STATIC
29.5 X 25 TIRE 28 PR	55	55

Stability loads do not exceed 75%
15200 lb Total Counterweight
LMI Code #02

LOAD RATINGS: POUNDS ON TIRES CREEP OVER FRONT

CHART #15

POWERED BOOM LENGTH IN FEET													
RADIUS IN FEET	40.5		45		55		65		75		85		RADIUS IN FEET
	△°	LOAD POUNDS FRONT	△°	LOAD POUNDS FRONT	△°	LOAD POUNDS FRONT	△°	LOAD POUNDS FRONT	△°	LOAD POUNDS FRONT	△°	LOAD POUNDS FRONT	
10	68	67600	71	67000	75	65500							10
12	65	59500	68	59000	72	57900	76	56800					12
15	60	50100	64	49800	69	49000	73	48200	76	47400			15
20	51	38900	56	38800	63	38400	68	37900	71	37500	74	37000	20
25	41	30000	48	30000	57	30000	63	30000	67	30000	71	30000	25
30	28	21400	38	21400	50	21400	58	21400	63	21400	67	21400	30
35					43	16600	52	16600	58	16600	63	16600	35
40					34	12800	46	12800	54	12800	59	12800	40
45							39	10300	48	10300	55	10300	45
50							31	8100	43	8100	50	8100	50
55									37	6700	45	6700	55
60									29	5200	40	5200	60
65											34	4100	65

MINIMUM BOOM ANGLE (DEGREES) FOR INDICATED BOOM LENGTH (NO LOAD)	-2°
MAXIMUM BOOM LENGTH (FEET) AT -2° BOOM ANGLE (NO LOAD)	75

LIFTING CAPACITIES ON TIRES - OVER FRONT AT 0° BOOM ANGLE							TIRE INFLATION DATA - PSI		
BOOM ANGLE	MAIN BOOM LENGTH IN FEET						TIRE SIZE	ROADING	CREEP
	40.5	45	55	65	75	85			
0	15500	12200	7500	4600	0	0	29.5 X 25 TIRE 28PR	55	75

Stability loads do not exceed 75%
 15200 lb Total Counterweight
 LMI Code #01

LOAD RATINGS: POUNDS ON TIRES 2 1/2 MPH OVER FRONT

CHART #16

POWERED BOOM LENGTH IN FEET													
RADIUS IN FEET	40.5		45		55		65		75		85		RADIUS IN FEET
	△°	LOAD POUNDS FRONT	△°	LOAD POUNDS FRONT	△°	LOAD POUNDS FRONT	△°	LOAD POUNDS FRONT	△°	LOAD POUNDS FRONT	△°	LOAD POUNDS FRONT	
10	68	51200	71	50700	75	49700							10
12	65	44800	68	44400	72	43700	76	42900					12
15	60	37300	64	37100	69	36700	73	36100	76	35600			15
20	51	28400	56	28400	63	28200	68	28000	71	27600	74	27300	20
25	41	22300	48	22300	57	22300	63	22200	67	22000	71	21900	25
30	28	17800	38	17800	50	17800	58	17800	63	17800	67	17800	30
35					43	14600	52	14600	58	14600	63	14600	35
40					34	11900	46	11900	54	11900	59	11900	40
45							39	9900	48	9900	55	9900	45
50							31	8100	43	8100	50	8100	50
55									37	6700	45	6700	55
60									29	5200	40	5200	60
65											34	4100	65

MINIMUM BOOM ANGLE (DEGREES) FOR INDICATED BOOM LENGTH (NO LOAD)	-2°
MAXIMUM BOOM LENGTH (FEET) AT -2° BOOM ANGLE (NO LOAD)	75

LIFTING CAPACITIES ON TIRES - OVER FRONT AT 0° BOOM ANGLE							TIRE INFLATION DATA - PSI		
BOOM ANGLE	MAIN BOOM LENGTH IN FEET						TIRE SIZE	ROADING	2-1/2 MPH
	40.5	45	55	65	75	85			
0	15500	12200	7500	4600	0	0	29.5 X 25 TIRE 28 PR	55	65

Stability loads do not exceed 75%
 15200 lb Total Counterweight
 LMI Code #00

DEDUCTIONS TO BE MADE FROM LOAD RATINGS

HOOK BLOCK WEIGHTS

9.2 Ton Ball Hook	476 Pounds	8.3 M Ton Ball Hook	213 Kg.
20 Ton 1 Sheave Hook Block	420 Pounds	18.1M Ton 1 Sheave Hook Block	190 Kg.
75 Ton 5 Sheave Hook Block	1,220 Pounds	68M Ton 5 Sheave Hook Block	443 Kg.

Note: These weights apply only to TEREX, INC supplied equipment.

The load charts for the RT175 are net load charts.

The deductions to these charts are:

1. The weight of hook block, slings and auxiliary lifting devices. Their weight must be subtracted from the listed rated lifting capacity to obtain the net load to be lifted.
2. When lifting over the lattice extension of the weight of any hook block, slings, and auxiliary lifting devices at the main boom head must be added to the load.
3. When the lattice extension is erected but unused, add three (3) times the weight of any hook block, slings, and auxiliary lifting devices at the extension head to the load. Outriggers must be in the fully extended position when lifting at the main boom head with the lattice extension erected.
4. Add 150 pounds to the chart values if the auxiliary boom head sheave is not erected.
5. All other deductions have been taken in the charts.

NOTE: All designs, specifications, and components of the equipment described above are subject to change at the manufacturer's sole discretion at any time and without advance notice. Capacity charts and information printed here are only a guide and may not be complete. They should not be relied upon to operate the crane. The individual load charts and related lifting data on each crane must be understood and govern operation of the crane. Data published herein is informational in nature and shall not be construed to warrant suitability of the machine for any particular purpose as performance may vary with conditions encountered. The only warranty applicable is out standard warranty for this machine.

 **TEREX CRANES, INC.**

P.O. Box 260002 Hwy. 501 East/Atlantic Center Conway, SC 29526-2602 U.S.A.
(803) 349-6900 FAX (803) 349-7090



Printed in USA
1997